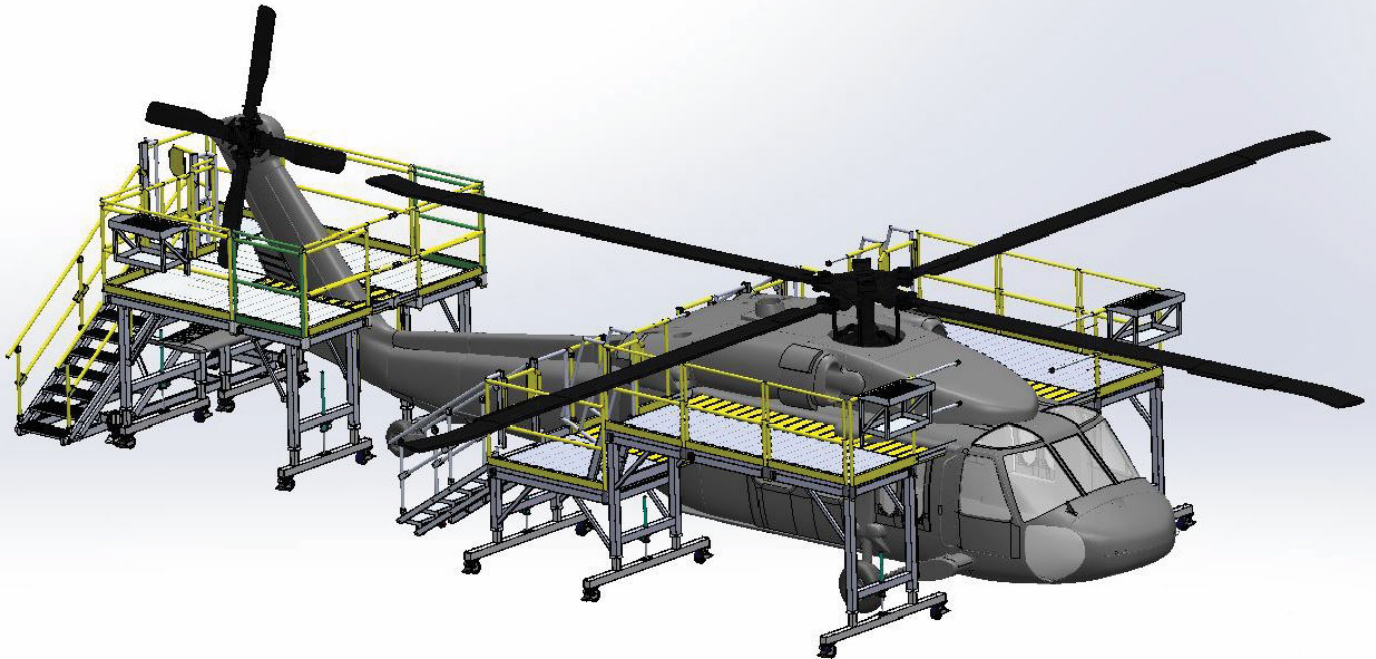




# MH-60



## MAINTENANCE STANDS



### Tail



Contact: Joel Barnett  
Email: joel@hhicorp.com

[www.hhicorp.com](http://www.hhicorp.com)

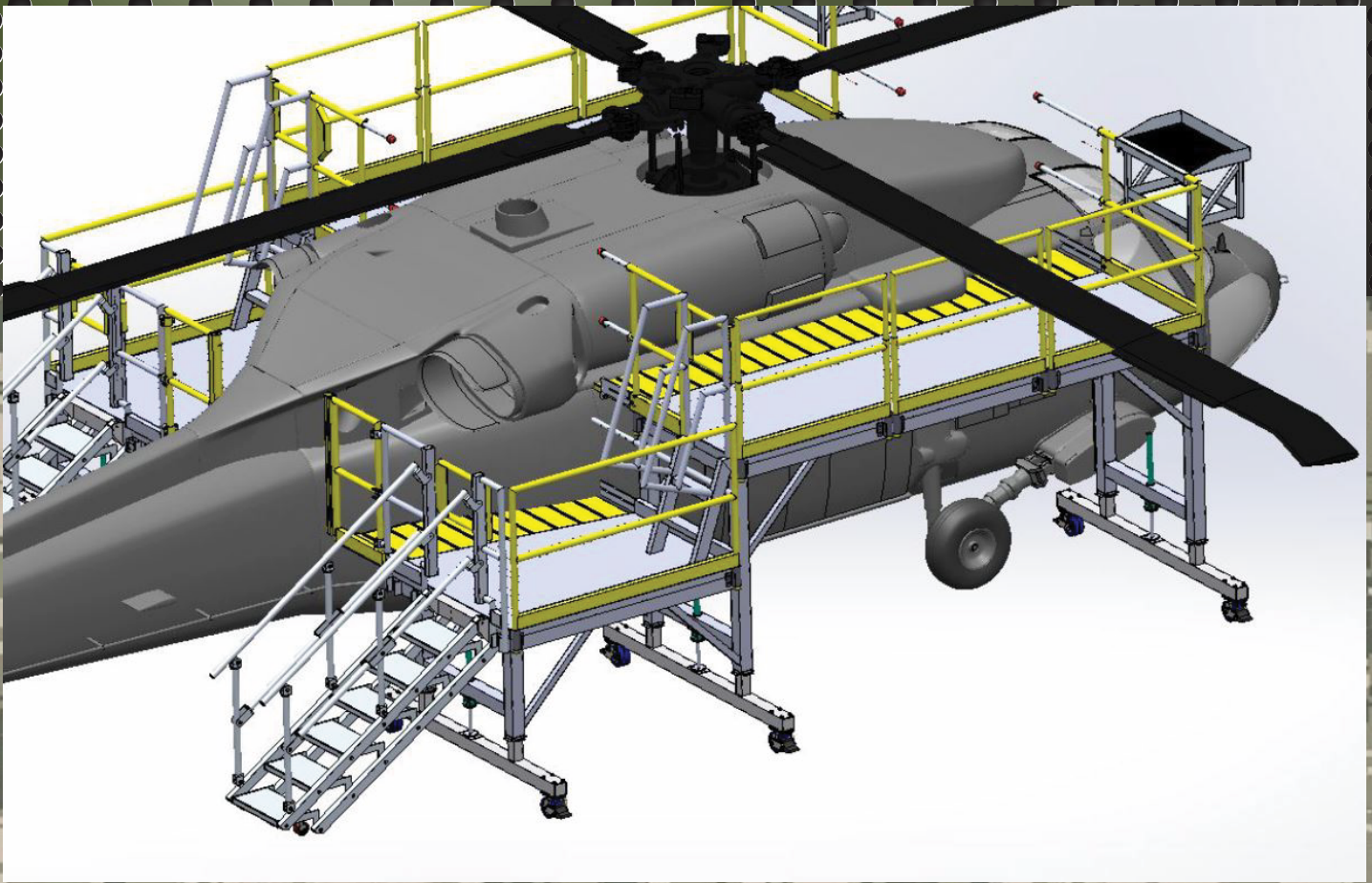
HHI Corporation 736 West Harrisville Rd Ogden, UT 84404 PH 385-333-4400



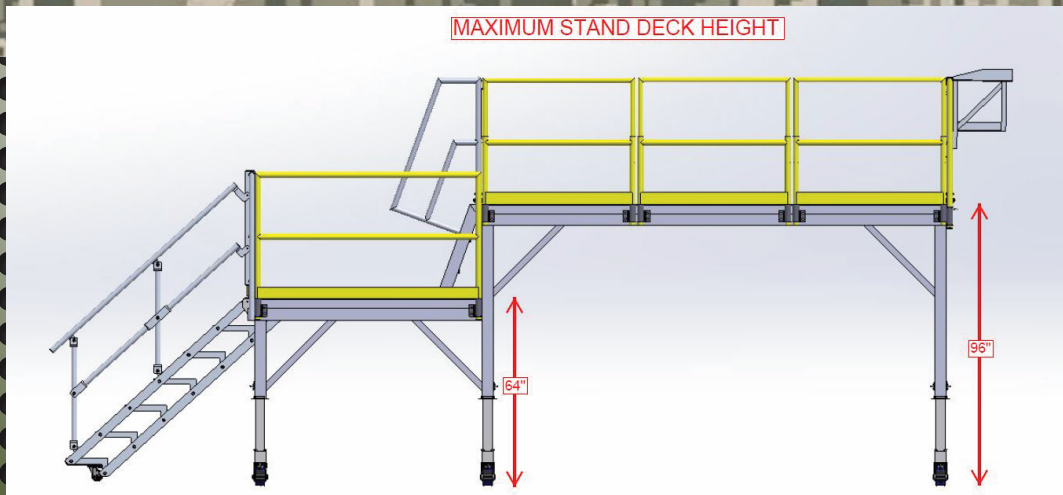
# MH-60



## MAINTENANCE STANDS



MAXIMUM STAND DECK HEIGHT



Contact: Joel Barnett  
Email: joel@hhicorp.com

[www.hhicorp.com](http://www.hhicorp.com)

HHI Corporation 736 West Harrisville Rd Ogden, UT 84404 PH 385-333-4400